

FIG: TOP VIEW

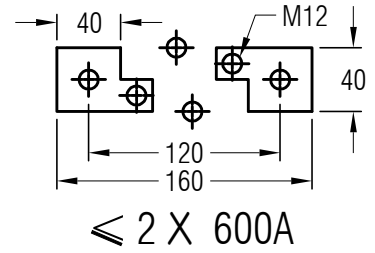


FIG: BUS BAR ARRANGEMENT

Description	
1.	Terminal Box
2.	PG Clamp
3.	Base Plate
4.	Grounding Bolt

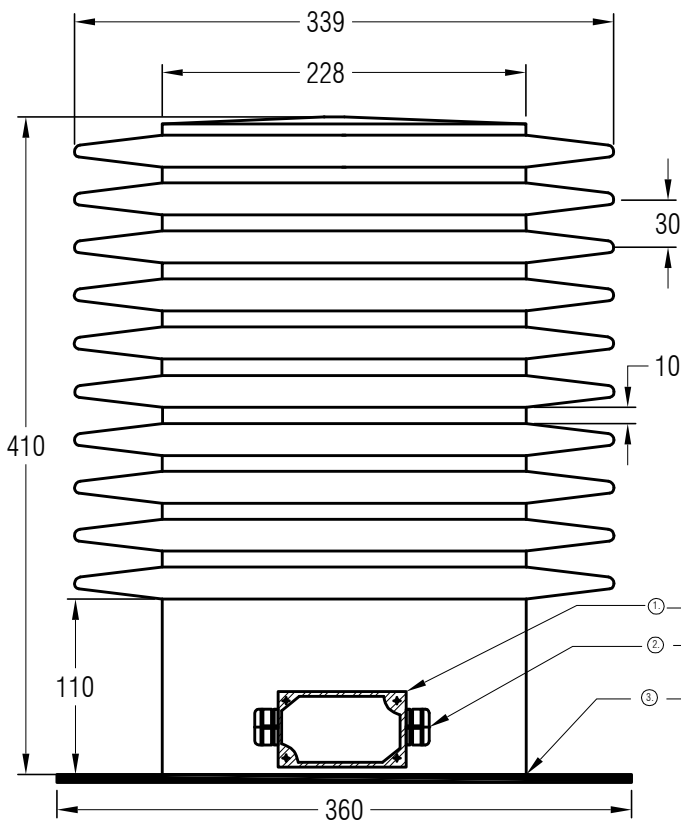


FIG: FRONT VIEW

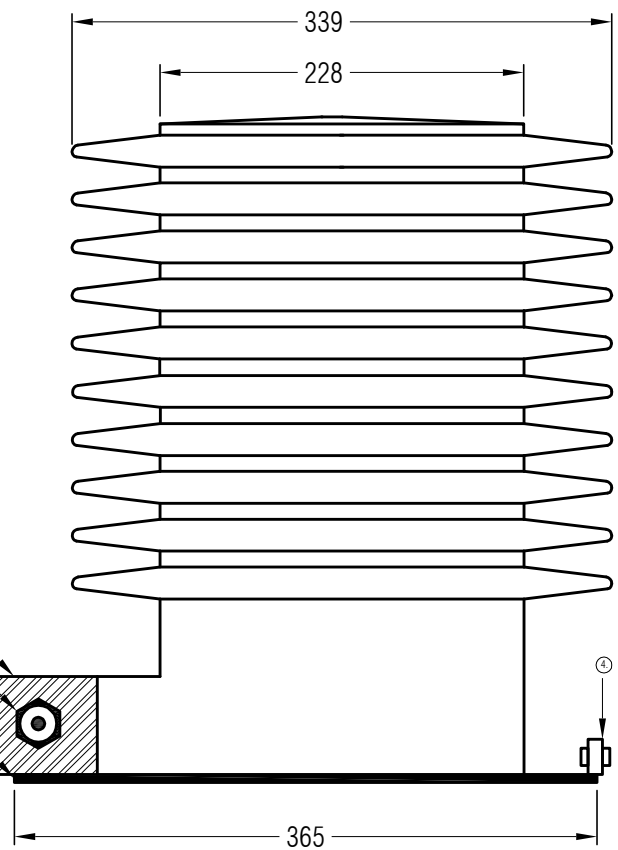



FIG: SIDE VIEW

FIG: GROSS AREA DRAWING OF GS-4 CT

ALL DIMENSIONS TOLERANCE IS $\pm 5\%$

TITLE OF DRAWING	MANUFACTURER	ITEM NAME		
TENDER NAME	 VICAR ELECTRICALS LIMITED LOHAGAS, SREEPUR, GAZIPUR, BANGLADESH.	MODEL NO.	CT36-2	
DESIGNED BY		Md. Jahurul Mawla	DRAWING NO.	
CHECKED BY		Md. Faruk Hossain	SCALE	
APPROVED BY		Md. Golam Mostofa	DATE	