

FIG: TOP VIEW

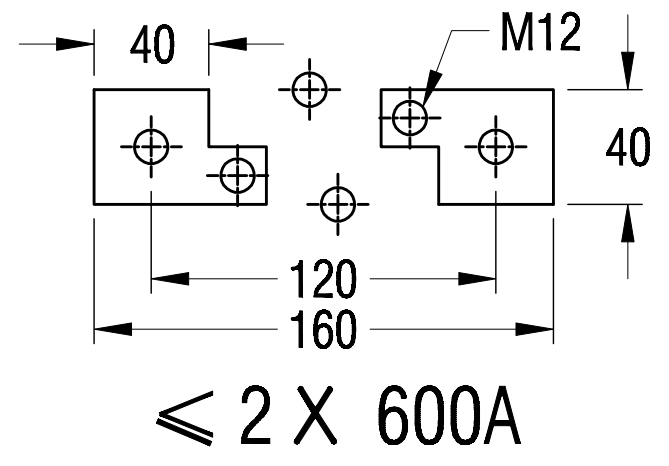


FIG: BUS BAR ARRANGEMENT

Description	
1.	Terminal Box
2.	PG Clamp
3.	Base Plate
4.	Grounding Bolt

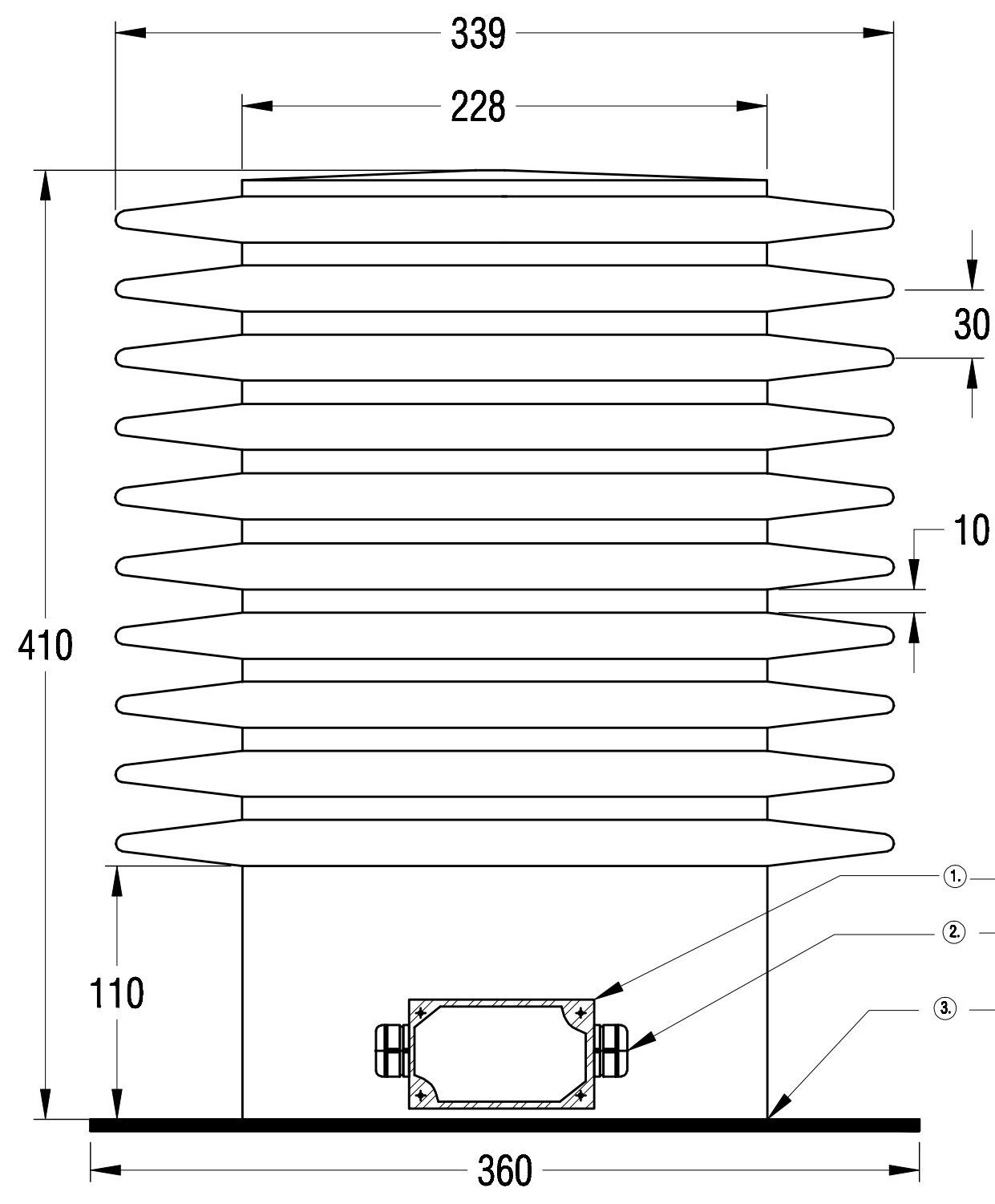


FIG: FRONT VIEW

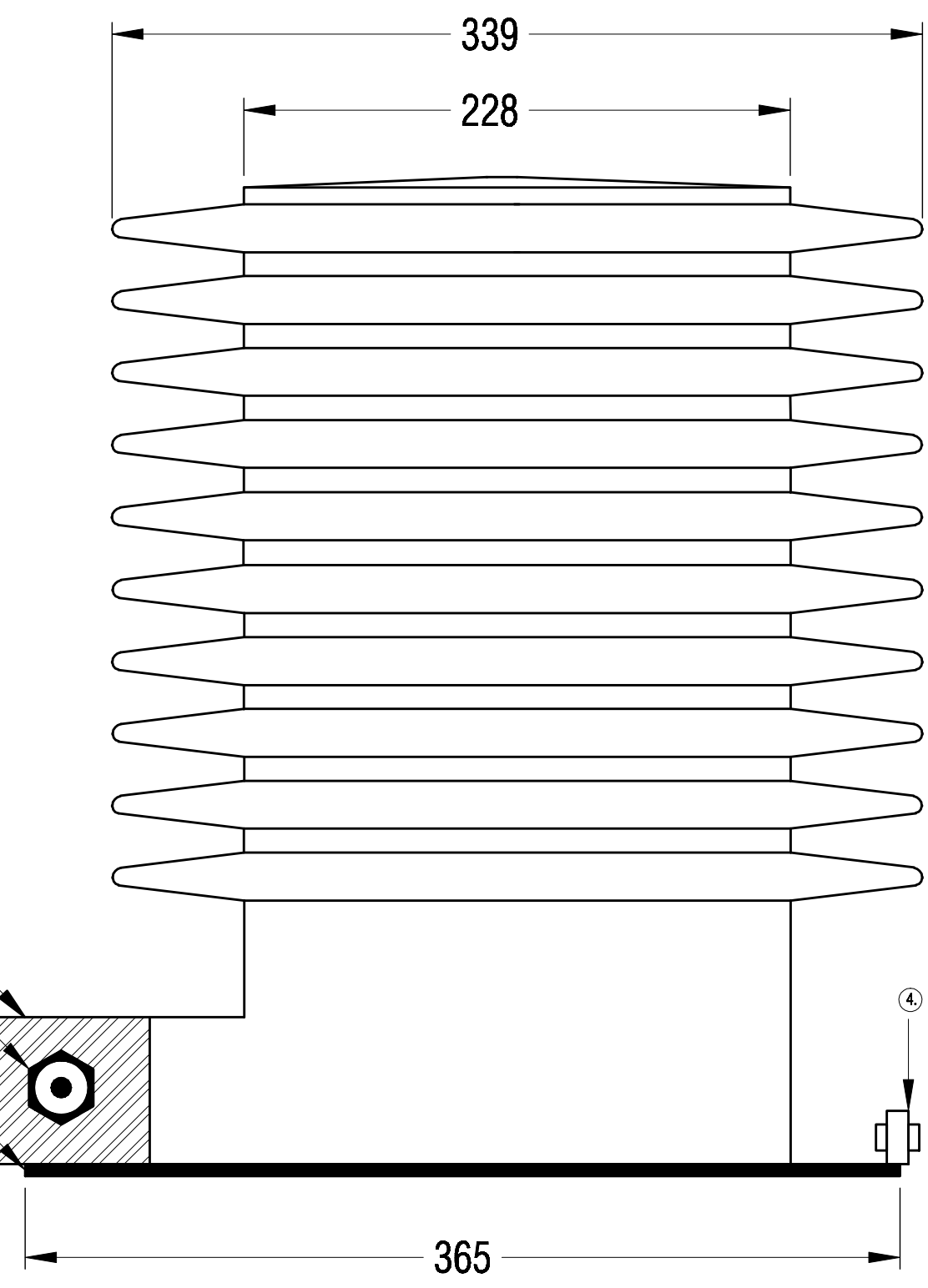



FIG: SIDE VIEW

FIG: GROSS AREA DRAWING OF GS-3 CT

ALL DIMENSIONS TOLERANCE IS $\pm 5\%$

TITLE OF DRAWING	MANUFACTURER	ITEM NAME
TENDER NAME	 VICAR ELECTRICALS LIMITED LOHAGAS, SREEPUR, GAZIPUR, BANGLADESH.	MODEL NO. CT36-1
DESIGNED BY		DRAWING NO.
CHECKED BY		SCALE
APPROVED BY		DATE