

**Description**

1. Primary Terminal
2. Primary Bushing
3. Terminal Box
4. PG Clamp
5. Base Plate
6. Grounding Bolt

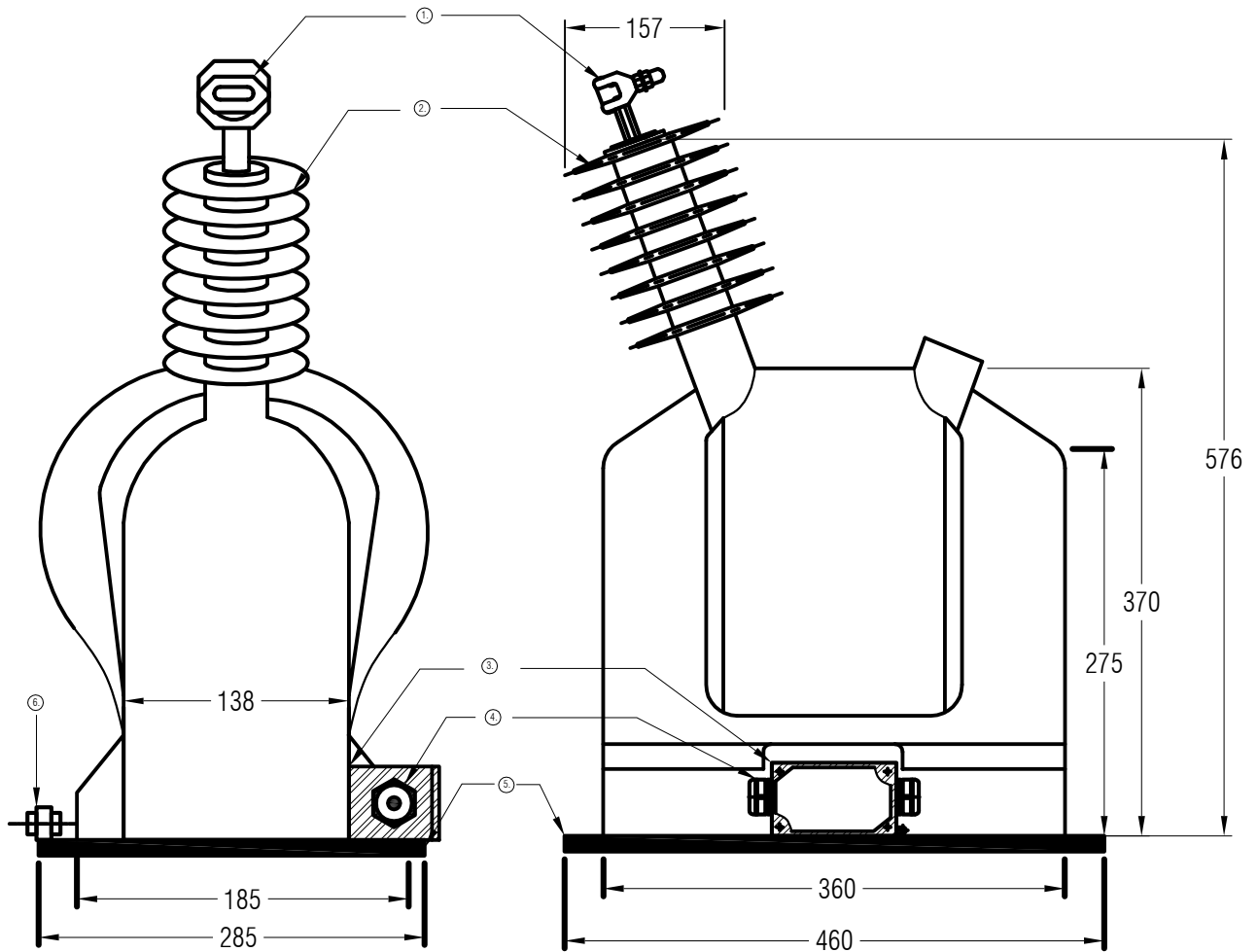



FIG: FRONT VIEW

FIG: SIDE VIEW

*PRODUCT OUTLINE DRAWING OF VOLTAGE TRANSFORMER GS-1/√3*

ALL DIMENSIONS TOLERANCE IS ±5%

TITLE OF DRAWING		MANUFACTURER	ITEM NAME	
TENDER NAME		 <b>VICAR ELECTRICALS LIMITED</b> LOHAGAS,SREEPUR, GAZIPUR, BANGLADESH.	MODEL NO.	VT36-1
DESIGNED BY	Md. Jahurul Mawla		DRAWING NO.	
CHECKED BY	Md. Faruk Hossain		SCALE	
APPROVED BY	Md. Golam Mostofa		DATE	