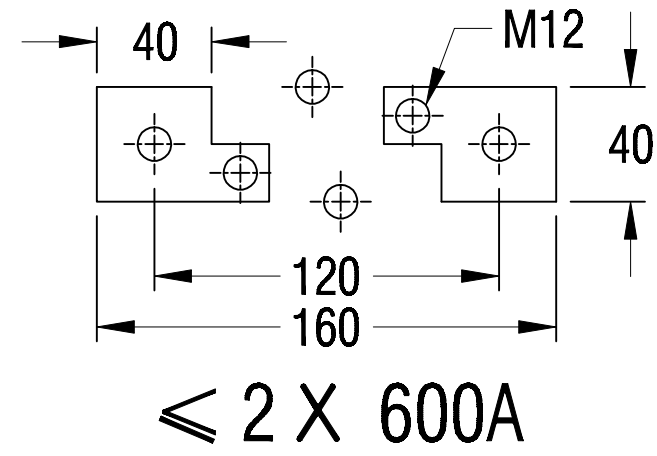


FIG: TOP VIEW



Description	
1.	Terminal Box
2.	PG Clamp
3.	Base Plate
4.	Grounding Bolt

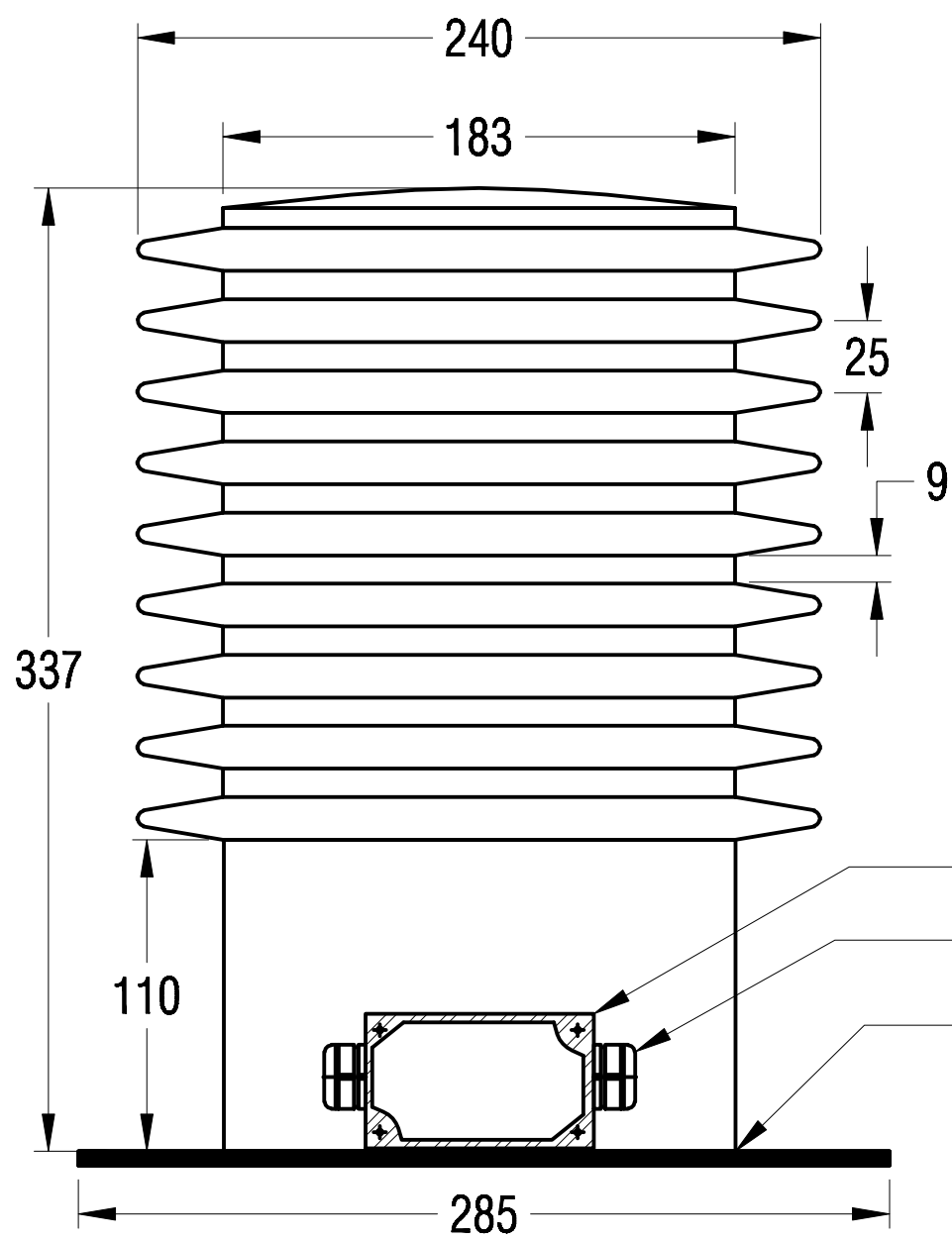


FIG: FRONT VIEW

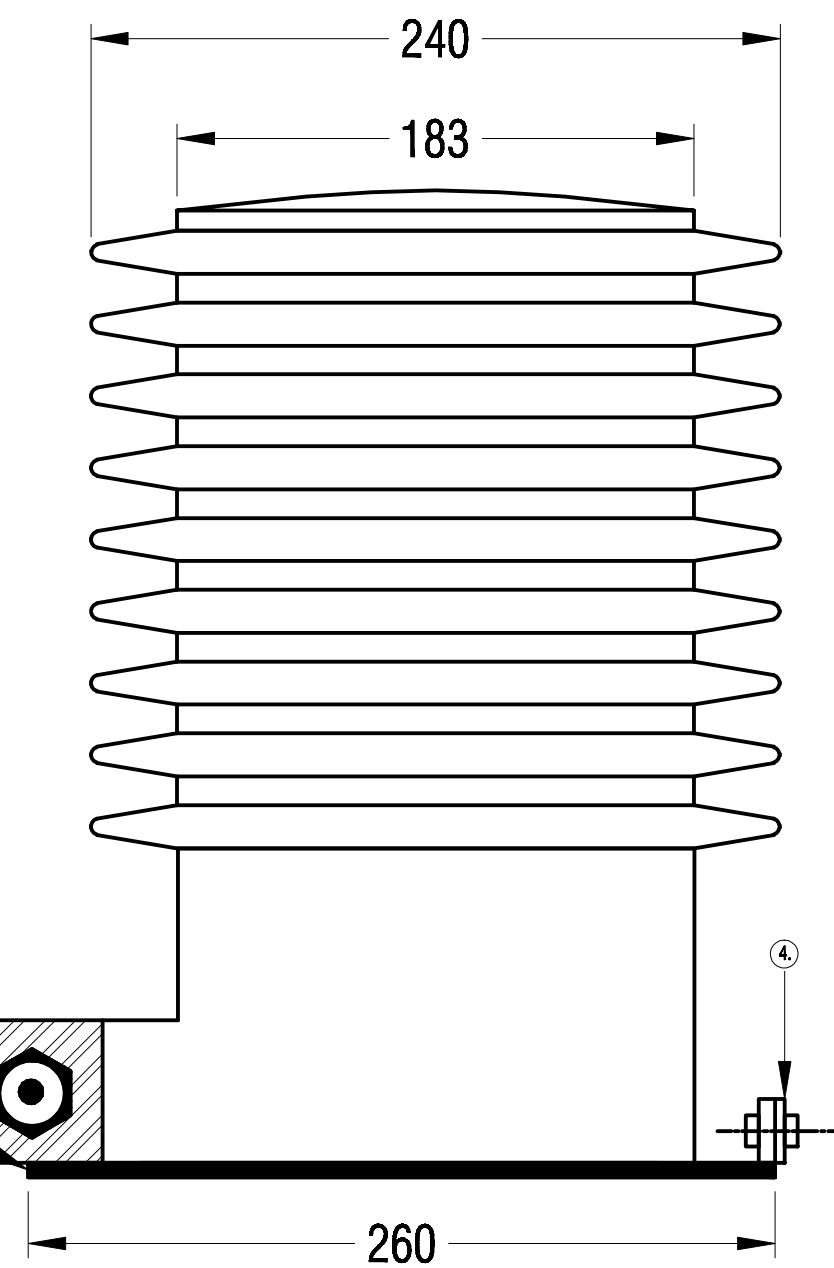



FIG: SIDE VIEW

FIG: GROSS AREA DRAWING OF G-15 CT

ALL DIMENSIONS TOLERANCE IS  $\pm 5\%$

TITLE OF DRAWING	MANUFACTURER	ITEM NAME
TENDER NAME	 <b>VICAR ELECTRICALS LIMITED</b> LOHAGAS, SREEPUR, GAZIPUR, BANGLADESH.	MODEL NO. CT11-2
DESIGNED BY		DRAWING NO.
CHECKED BY		SCALE
APPROVED BY		DATE