

**Description**

1. Primary Terminal
2. Primary Bushing
3. Terminal Box
4. PG Clamp
5. Base Plate
6. Grounding Bolt

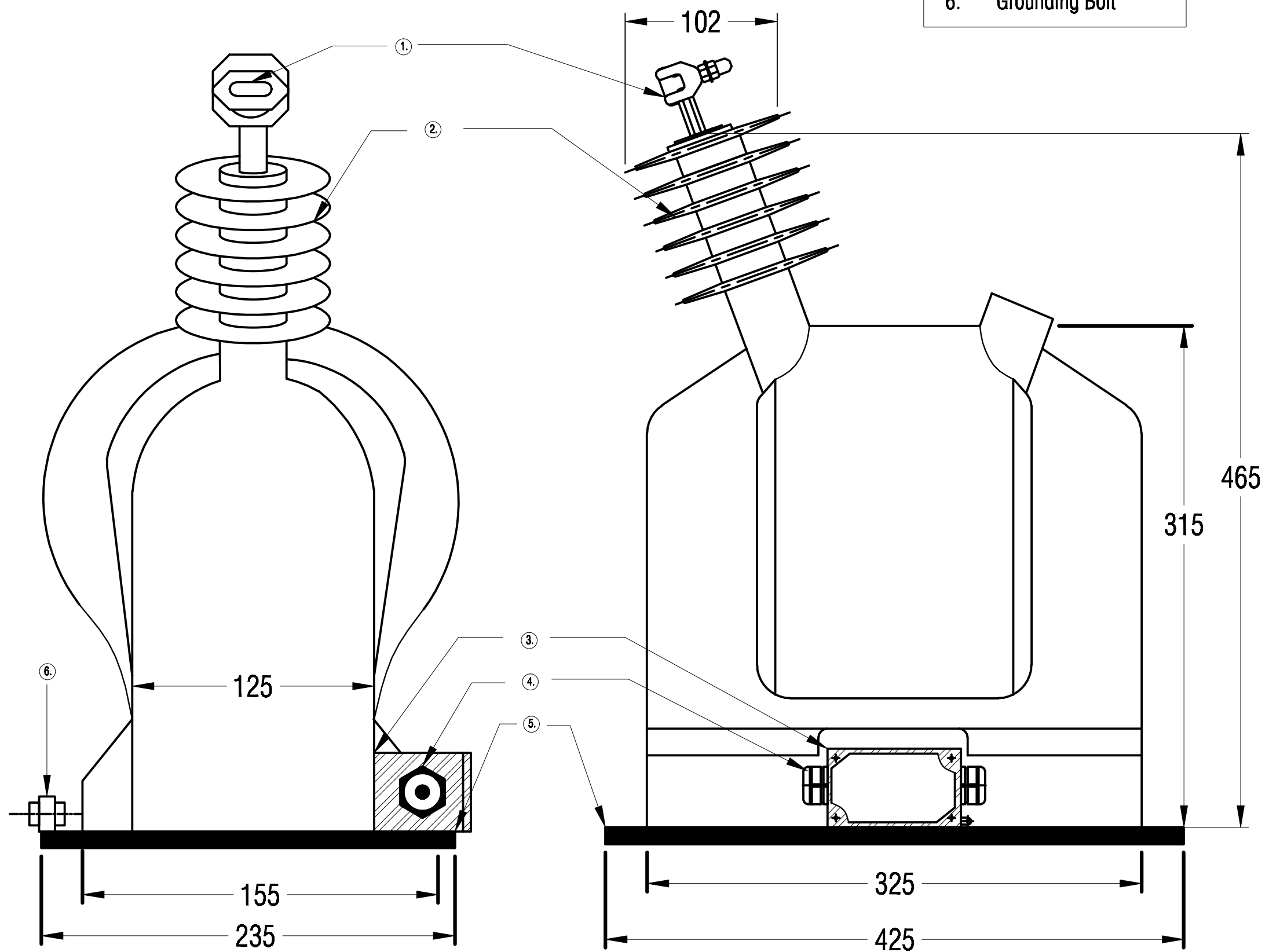



FIG: FRONT VIEW

FIG: SIDE VIEW

**PRODUCT OUTLINE DRAWING OF VOLTAGE TRANSFORMER G-12**

ALL DIMENSIONS TOLERANCE IS  $\pm 5\%$

TITLE OF DRAWING		MANUFACTURER	ITEM NAME	
TENDER NAME		 <b>VICAR ELECTRICALS LIMITED</b> LOHAGAS, SREEPUR, GAZIPUR, BANGLADESH.	MODEL NO.	VT11-1
DESIGNED BY			DRAWING NO.	
CHECKED BY			SCALE	
APPROVED BY			DATE	